



## TECHNICAL DATA SHEET

# Liferaft Lighting Systems

## RL5 System

Daniamant design and manufacture all of our products in line with the relevant worldwide approvals, technical specifications, current legislation and International directives.

Our mission is to achieve World class performance through partnerships with our suppliers, customers and employees, providing products and services that enhance the safety and security of our customers.

### Daniamant products cover 11 key areas:

- Lifejacket Lights
- Liferaft Lights
- Lifebuoy Lights
- Intrinsically Safe Lights
  - Special Lights
  - LED Flares
- Bridge Navigational Watch Alarm System (BNWAS)
  - Salinometers
  - Oil Level Alarm
- Electronic Inclinator
- Agency for a range of world-renowned safety product brands (supplied to the Danish market)

### Further Information

For further information on our products, please see our website: [www.daniamant.com](http://www.daniamant.com)

MODEL	RL5 Internal	RL5 External
Part number. Daniamant Version <sup>1</sup>	48-011A	48-021-0650A <sup>2</sup>
Colour – Body	Orange	
Light – Output	Minimum 0.5 cd	Minimum 4.3 cd
Light – Duration	Minimum 12 hours	
Light – Type	Steady	Flashing
Material	Polycarbonate	
Storage Temperature	-52° C to + 65° C	
Storage Life	5 years	
Operating Temperature	-52° C to + 65° C	
Weight – nominal	142 g	55 g
Battery Type	Lithium Sulphur Dioxide	No Battery
Activation	Automatic during Raft activation. Can be switched separately	
Approvals – Classification Societies	SOLAS/MED/USCG/TC	
Approvals – Country	See our web site for full list of Country approvals	
<sup>1</sup> These Part numbers cover the Daniamant versions. OEM versions of these lights will have different part numbers, please contact the relevant company for details. <sup>2</sup> The RL5 External Light can be, subject to quantities ordered, supplied with various lead lengths up to a maximum of 6.5 metres		

## Transport Specification

Transport Regulations are subject to change. Please refer to the latest Product safety Data Sheet at [www.daniamant.com](http://www.daniamant.com) for details.

## Packing Specification

To minimize shipping costs, all RL5's are packed and supplied in boxes of 100 off.

### The dimensions are:

RL5 Internal: Box of 100 off: 48 x 35 x 28 cm  
 RL5 External: Box of 100 off: 31 x 31 x 31 cm

### Approximate packed weights are:

RL5 Internal: Box of 100 off: 16.5 kg  
 RL5 External: Box of 100 off: 6.5 kg

**Daniamant Ltd**  
 Unit 3, The Admiral Park  
 Airport Service Road  
 Portsmouth, PO3 5RQ  
 United Kingdom

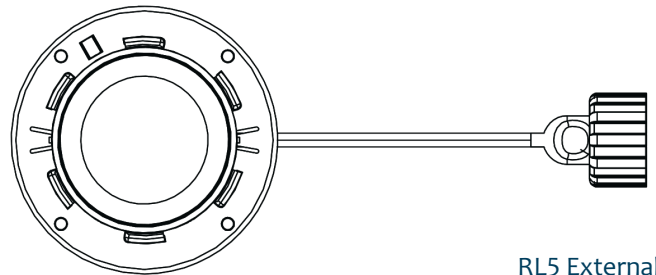
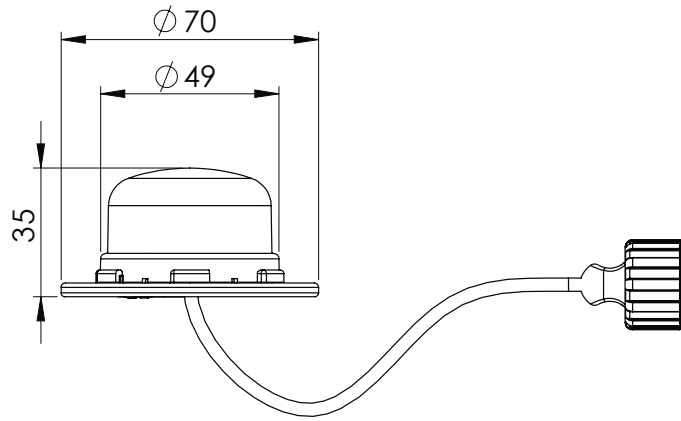
Tel +44 23 92 67 51 00  
 Fax +44 23 92 67 51 01  
 sales@daniamant.com

**Daniamant ApS**  
 Industrivej 24C  
 3550 Slangerup  
 Denmark

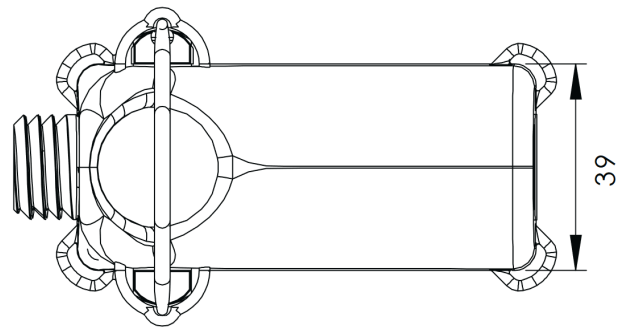
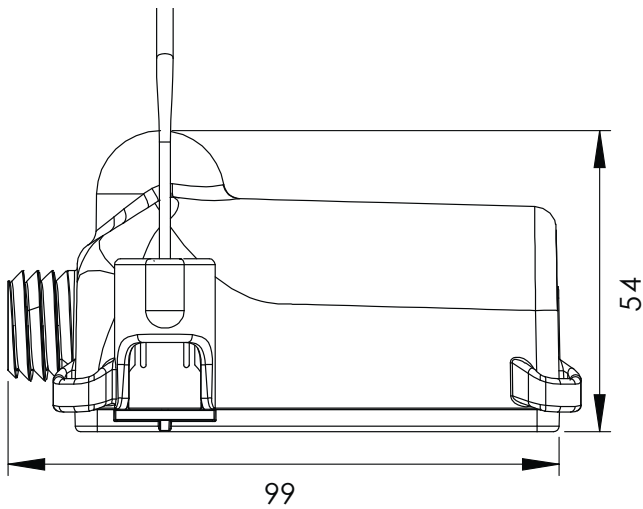
Tel +45 47 37 38 00  
 Fax +45 47 37 38 09  
 orders@daniamant.com

**Daniamant Electronics A/S**  
 Industrivej 24C  
 3550 Slangerup  
 Denmark

Tel +45 47 37 38 00  
 Fax +45 47 37 38 09  
 info@daniamant.com



RL5 External



RL5 Internal