

# FRESHWATER SALINOMETER SL6005



## Key features:

- Continuous check of salinity for freshwater generators and boilers
- Warning when the salinity surpasses a given value
- A built-in self test facilitates the routine check
- Direct reading of the salinity by display
- 4-20 mA output
- Temperature compensation 20 - 90 c°
- Wall or panel mounting
- Type approval tested by DNV



# Specifications SL6005

**Function:**

The salinometer measures and supervises the salinity (salt content) of fresh water produced by distillation of sea water

**Mains supply:**

90-120 or 200-240 Vac, 50-60 Hz

**Mains current:**

Mains supply must be secured against overcurrent with an external fuse. Max. 100 mA

**Salinometer power consumption:**

Max. 10.0 W

**Range of salinity:**

0-20 ppm (0.1 ppm/step) of seasalt or  
0-200 ppm (1 ppm/step) of seasalt

**Alarm level:**

Adjustable 0-20 ppm (0-20 ppm, 0.1 ppm/step)  
or  
Adjustable 0-200 ppm (0-200 ppm, 1 ppm/step)

**T-piece:**

5/4" Thread for pipe connection

**Test:**

By means of a push button the salinometer circuit can be checked

**Cable connections:**

Terminals 1-2:	Mains
Terminals 3-10:	Relay contacts for ALARM and solenoides
Terminals 11-14:	Electrode unit.
Terminal 15:	4-20 mA Currentloop
Terminal 16:	Current ref, Ground

Alarms to devices connected to the secondary relay can be cancelled by means of a push button "ALARM ON/OFF" on the front panel

**Display:**

2 LED displays (3 digits)

**Relay contacts:**

8 A / 24 Vac  
Relay contacts must be secured against overcurrent with an external fuse

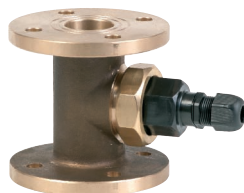
**Protection:**

IP 65

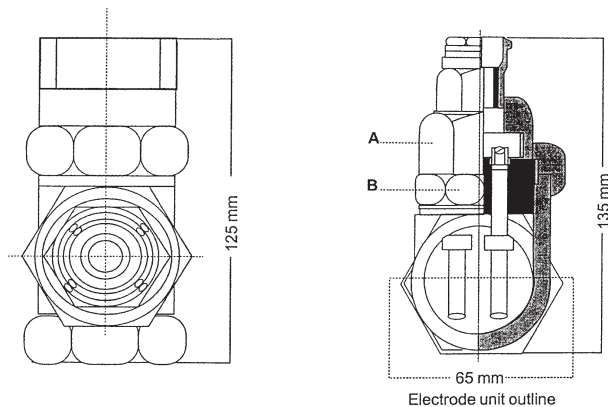
The gold-plated electrode unit is placed within the T-piece in such a way that it is easily removed for inspection and cleaning



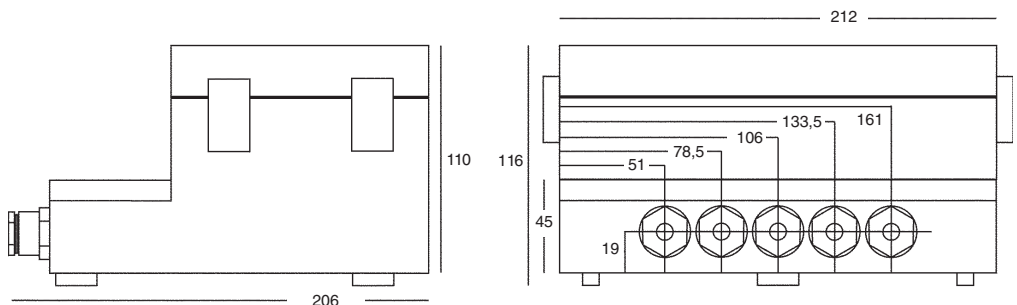
Electrode unit in standard T-piece



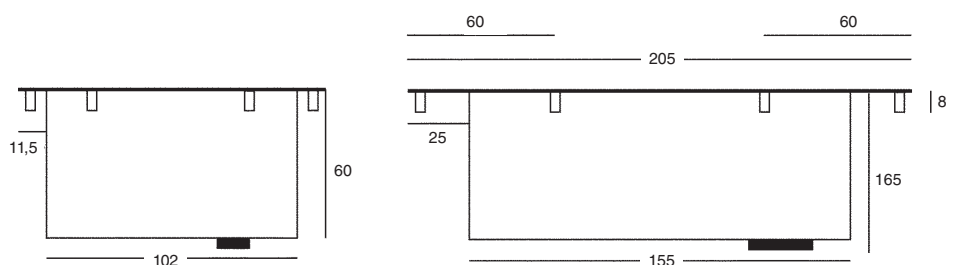
Electrode unit in flange T-piece



Wall mounting model



Panel mounting model



Amager Strandvej 124 · DK-2300 Copenhagen S  
Tel: +45 3286 0525 · Fax: +45 3258 1330  
mail: info@unielec.dk · www.unielec.dk

Visit us at [www.unielec.dk](http://www.unielec.dk)

