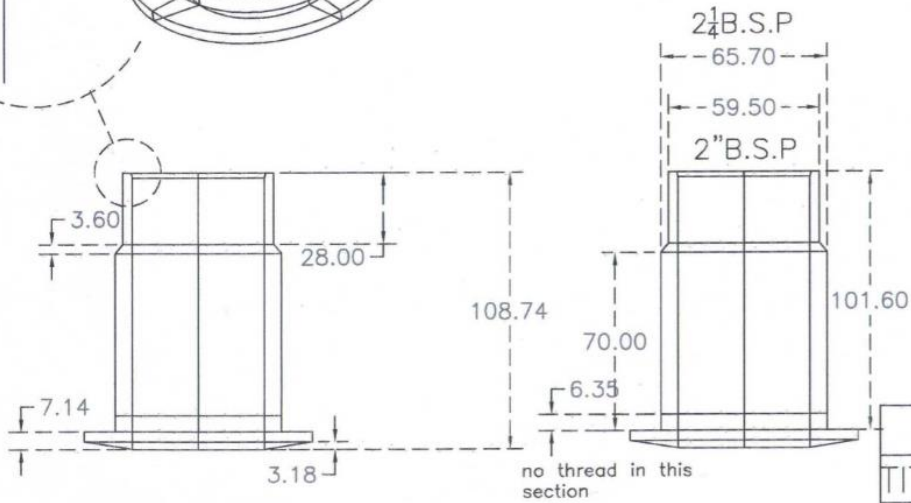
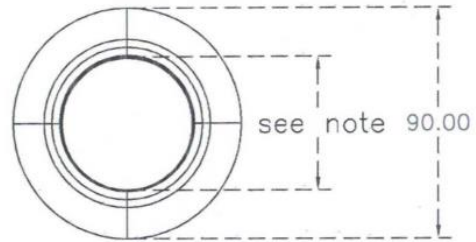
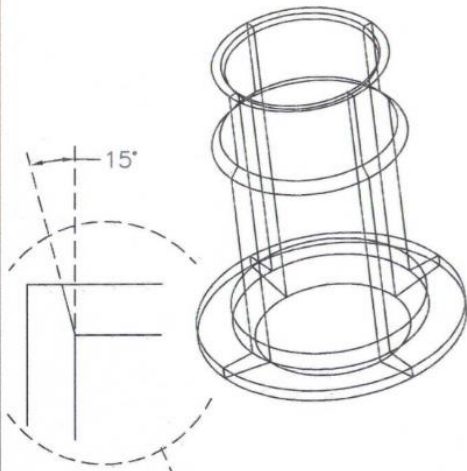


NOTE: Max bore=51.99mm
Min bore=52.09mm



ALL DIMENSIONS IN MM

EchoPilot
TITLE: Steel SF
DRWNG No: 002
SHEET No: 001