

BROCHURE

ECHOPiLOT

Forward Looking Sonar FLS 2D

Daniamant design and manufacture all of our products in line with the relevant worldwide approvals, technical specifications, current legislation and International directives.

Our mission is to achieve World class performance through partnerships with our suppliers, customers and employees, providing products and services that enhance the safety and security of our customers.

Daniamant products cover 12 key areas:

- Lifejacket Lights
- Liferaft Lights
- Lifebuoy Lights
- Intrinsically Safe Lights
 - Special Lights
 - LED Flares
- Forward Looking Sonars (FLS)
 - Bridge Navigational Watch Alarm System (BNWAS)
 - Salinometers
 - Oil Level Alarm
 - Electronic Inclinator
- Agency for a range of world-renowned safety product brands (supplied to the Danish market)

Further Information

For further information on our products, please see our website: www.daniamant.com

Introduction

The FLS 2D is a stand-alone display, which comes with two different Forward Looking Transducers: A standard transducer and a professional transducer. These are made in two different sizes to fit the needs of your boat.

The transducers scan the seabed in a 90 degree vertical angle, which lets the captain see any underwater dangers ahead in time to avoid the dangers. The image displayed on the FLS 2D is an exact image of the seabed and even gives color coding to show what type of seabed you are sailing over. The green colors indicate a soft seabed like sand and mud, while red colors indicate a hard seabed like rock and coral.

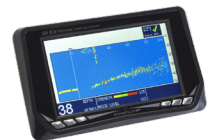
The FLS 2D shows the depth straight underneath the boat. This way you only have to look at the EchoPilot while navigating. Depth sounders are no longer needed except if you want depth sounders to show deeper depth than the 100 Meters.

The FLS 2D has a maximum depth range of 100 Meters and 200 meters ahead.

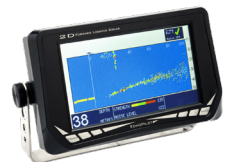
Compared to other Forward Looking Sonars the FLS 2D is unique. When speaking about forward looking sonar the depth to range ratio is a vital part of the technology. The depth to range ratio indicates how far ahead the forward looking sonar will see compared to the depth. The FLS 2D has a depth to range ratio of 10 x the depth, which allows you to see 50 meters ahead with 5 meters of water underneath your boat. This way you can see much further when navigating in shallow waters.

Features

- Patented Real Time Forward Looking Sonar
- Update time: 0.5 seconds
- Colour Translective TFT LCD
- Max Range Ahead 200m
- Max Depth Range 100m
- Digital Depth
- Forward Alarm
- Optional Swivel Bracket
- Dual Display option



TFT LCD Display



TFT LCD Display with bracket



Standard Transducer



Professional Transducer

Daniamant A/S
 Industrivej 24C
 3550 Slangerup
 Denmark

Tel +45 47 37 38 00
 Fax +45 47 37 38 09
 info@daniamant.com

Daniamant Ltd
 Unit 3, The Admiral Park
 Airport Service Road
 Portsmouth, PO3 5RQ
 United Kingdom

Tel +44 23 92 67 51 00
 Fax +44 23 92 67 51 01
 sales@daniamant.com

Standard or Professional transducer?

Having chosen the EchoPilot 2D for your boat the only remaining choice is: which transducer is most appropriate. Our larger professional transducer comes with a bronze 2" BSP thru-hull fitting and with 3" of useable thread is excellent for most larger boats.

The standard transducer fits through a glass filled Polypropylene thru-hull with 1" of useable thread. Most bottomed GRP hulls can take the standard transducer.

If however you have a thick hull, or a significant degree of dead rise requiring wedges or chocks to keep the transducer vertical then the professional is the choice to make.

Standard Kit

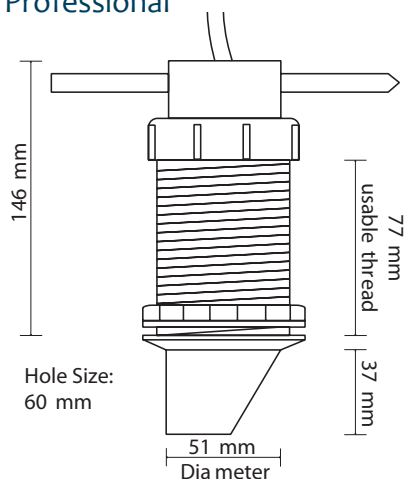
- Display
- Power Cable
- Transducer
- Thru-hull fitting & blanking cap
- White protective cover for display
- Shipping weight: approx. 4.5 kg

Optional

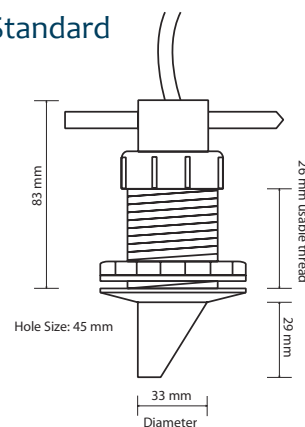
- Repeater Display
- Mounting Bracket
- Spare Transducer

Transducers

Professional



Standard



FLS 2D Screen Shots

