



## TECHNICAL DATA SHEET

# Lifebuoy Lights L160-L163

Daniamant design and manufacture all of our products in line with the relevant worldwide approvals, technical specifications, current legislation and International directives.

Our mission is to achieve World class performance through partnerships with our suppliers, customers and employees, providing products and services that enhance the safety and security of our customers.

### Daniamant products cover 11 key areas:

- Lifejacket Lights
- Liferaft Lights
- Lifebuoy Lights
- Intrinsically Safe Lights
  - Special Lights
  - LED Flares
- Bridge Navigational Watch Alarm System (BNWAS)
  - Salinometers
  - Oil Level Alarm
  - Electronic Inclinometer
- Agency for a range of world-renowned safety product brands (supplied to the Danish market)

### Further Information

For further information on our products, please see our website: [www.daniamant.com](http://www.daniamant.com)

MODEL	L160	L161	L162	L163
Part number	62-001A	62-002A	62-003A	62-004A
Colour – Light	Yellow		International Orange	
Colour – Bracket	Black: Order 62-116 as Spare Part			
Light – Output	2 Candela minimum			
Light – Duration	2 hours min	2 hours min	15 hours min	15 hours min
Light – Type	Flashing LED			
Material – Lifebuoy Light	Polypropylene Ether + PS			
Material – Bracket	Polypropylene			
Storage Temperature	-30° C to + 65° C			
Operating Temperature	-1° C to + 30° C			
Storage Life	5 years	5 years	5 years	5 years
Drop Height	76 metres			
Weight – Nominal	255 grams	300 grams	300 grams	320 grams
Battery Type	Lithium Manganese Dioxide			
Activation	Automatic via Pull Cord			
Intrinsically Safe	No	Yes	No	Yes
Nato Stock number	6230 99 613 4941	6230 99 366 5928	-	-
Approvals – Classification Societies	SOLAS/MED	SOLAS/MED/ ATEX/IECEX	SOLAS/MED/ USCG/ETL	SOLAS/MED/USCG
Approvals – Country	See our web site for full list of Country approvals			

## Transport Specification

Transport Regulations are subject to change. Please refer to the latest Product safety Data Sheet at [www.daniamant.com](http://www.daniamant.com) for details.

## Packing Specification

To minimize shipping costs, all Lifebuoy Lights are packed in boxes 10 off.

**The dimensions are;**  
Box of 10 off: 58 x 23 x 20 cm

**Approximate packed weights are,**  
L160: 10 off at 3.7 kg.  
L161: 10 off at 4.2 kg.  
L162: 10 off at 4.2 kg.  
L163: 10 off at 4.4 kg.

**Daniamant Ltd**  
 Unit 3, The Admiral Park  
 Airport Service Road  
 Portsmouth, PO3 5RQ  
 United Kingdom

Tel +44 23 92 67 51 00  
 Fax +44 23 92 67 51 01  
 sales@daniamant.com

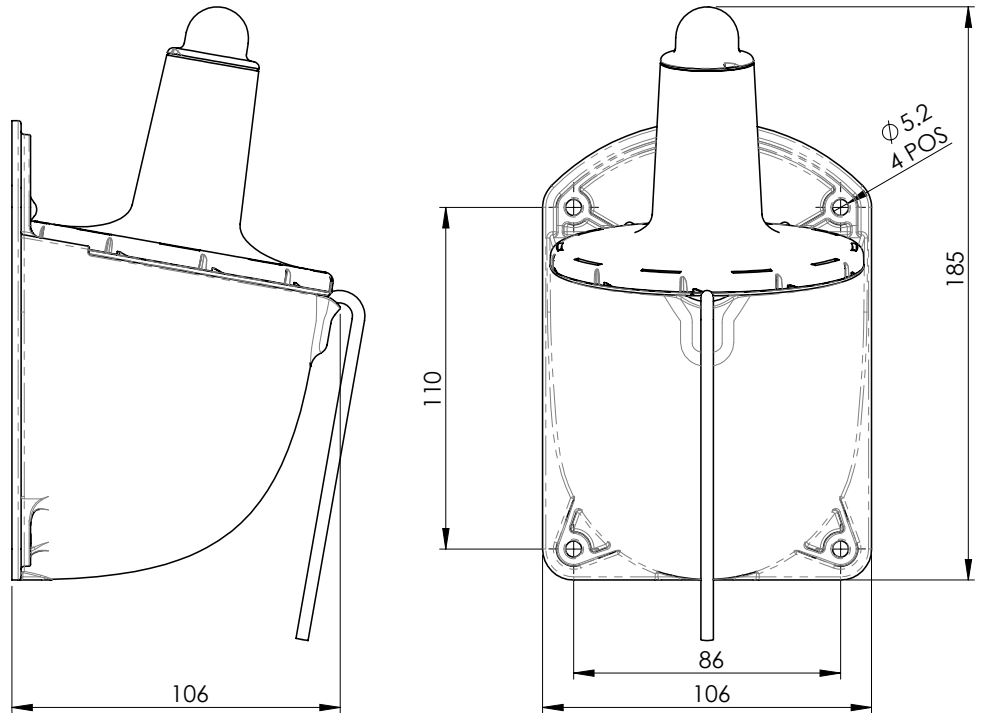
**Daniamant ApS**  
 Industrivej 24C  
 3550 Slangerup  
 Denmark

Tel +45 47 37 38 00  
 Fax +45 47 37 38 09  
 orders@daniamant.com

**Daniamant Electronics A/S**  
 Industrivej 24C  
 3550 Slangerup  
 Denmark

Tel +45 47 37 38 00  
 Fax +45 47 37 38 09  
 info@daniamant.com

**Outline**



**Daniamant**  
 Be safe at sea



IECEX number:  
 ITS09.0022X



ATEX number:  
 ITS09ATEX26366X



Intertek  
 3195124



THE QUEEN'S AWARDS  
 FOR ENTERPRISE:  
 INNOVATION  
 2014



0038/YYYY

