



DANIAMANT

L40 intrinsically safe lifebuoy light



Installation and Maintenance Instructions



Description

The L40 lifebuoy light is a water-activated system designed for automatic actuation by the act of releasing the lifebuoy to which the unit is attached. The battery ripcord is attached to the storage housing, such that the battery is unsealed ready for use when the light is pulled from the housing.

The light illuminates, providing an omnidirectional 2Cd output, when the unsealed battery is immersed.

The L40 light is certified intrinsically safe, category II 2 G, Eex e ia IIC T3, certificate number ITS02ATEX3047X.

Daniamant Limited

Unit 3, The Admiral Park, Airport Service Road, Portsmouth, UK PO3 5RQ
+44 (0)23 9267 5100

64-7001 Issue 11 (C6361)

Installation

Typical mounting positions are shown in the illustrations on Page 3.

Stowage

The L40 has been constructed to withstand a drop into the water from at least 30M as required by LSA Code (Chapter II, Section 2.1.1.6). This model has been tested and approved to 36M.

Maximum Stowage Height: 36M.

Maintenance

Routine service

The unit is maintenance free, but the following checks should be made periodically (eg annually):

1. Inspect visually to ensure the casing has not swollen and that no component parts are missing or damaged.
2. The complete L40 should be replaced after five years from the date of manufacture marked on the product.

Physical properties

Dimensions	Lifebuoy Light	245mm high x 100mm Ø
	Lifebuoy Light & Housing	275mm high x 155mm wide x 150mm deep
Weight	Lifebuoy Light	430g
	Lifebuoy Light & Housing	1130g

Safety

This light uses Magnesium/Silver Chloride cells. These must be handled correctly:

- Do not dismantle battery pack
- Do not make any external electrical connection
- Do not recharge
- Do not incinerate
- Store between $-30\text{ }^{\circ}\text{C}$ and $+65\text{ }^{\circ}\text{C}$

The apparatus shall be stored within its specially designed container and be mounted and maintained as per these instructions.

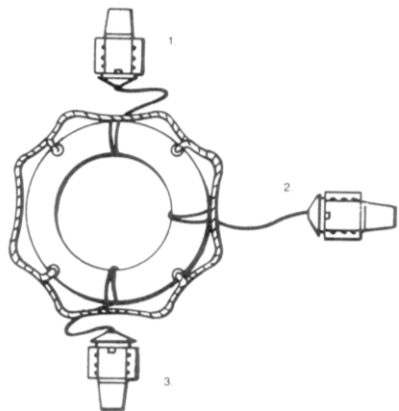
Health and Safety information

Information on the composition and behaviour of these products is contained in the Material Safety Data Sheet, available on request, or via our website www.daniamant.com

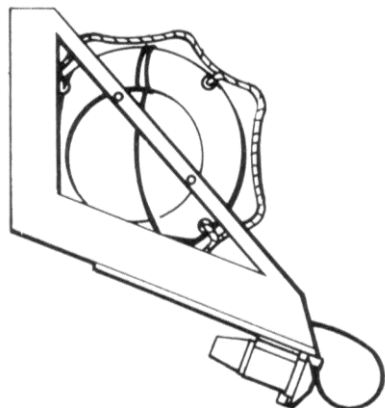
Disposal

Silver cathodes are reclaimed by specialist processors. Dispose of other materials in accordance with local regulations. This should be done through an approved environmental disposal agent.

L40 lifebuoy light and housing



Bulkhead mounting
showing alternative positions



Automatic bridge/taffrail release

Attach lanyard to lifebuoy
Head of spring peg should face line of release

Marking Details

Approval Label

DANIAMANT TYPE L40

Ex II 2G
EEx e ia IIC T3
ITS02ATEX3047X
TC: 137.034.030


MODEL	MANF.	EXPIRY	BATCH
L40	XXXXX	XXXXX	XXXXXXXXXX

IECEX ITS 07.0001X
Ex e ia IIC T3
CE0359

 0038
XX
Lloyd's Register

MADE BY DANIAMANT Ltd
PORTSMOUTH U.K.

Instruction Label



DANIAMANT

TO ASSEMBLE - LOOP THE
LANYARD AROUND THE
BUOY AND FASTEN SECURELY.
LIGHT WILL ACTIVATE ON
ENTRY INTO WATER.
DO NOT STOW MORE THAN
36m ABOVE WATERLINE.